

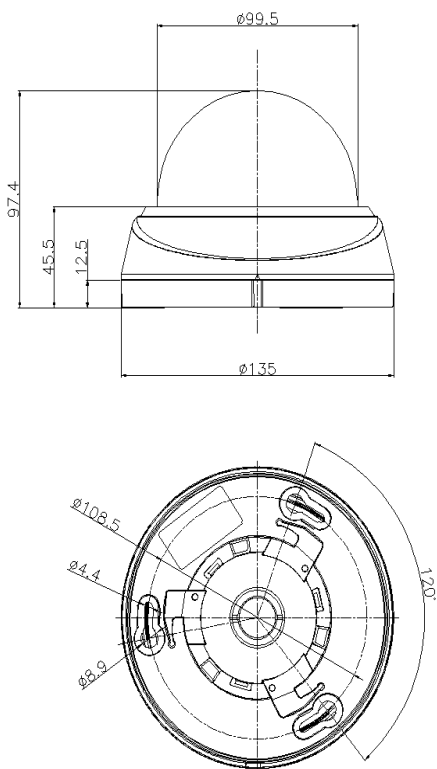
## VCD6-V720HN/HP-IR



### Features

- 1/3" 960H Exview HAD CCDII(SONY)
- High Resolution of 700TVL
- 850nm IR 30 pieces
- 2D-DNR, D-WDR, HLC,
- 4 Privacy Zones, Motion Detection
- 3-Axis Gimbal Bracket

### Dimensions



### Specifications

MODEL	VCD6-V720HN-IR	VCD6-V720HP-IR
Signal System	NTSC	PAL
Total Pixels Number	1020(H) x 508(V) 520K	1020(H) x 596(V) 610K
Effective Pixels Number	976(H) x 494(V) 480K	976(H) x 582(V) 570K
Pick-up Device	1/3" 960H EXview HAD CCD II (SONY)	
Lens Mount	Board	
Signal Process	Digital Signal Process	
Scanning System	2:1 Interlace	
Sync. System	Internal	
Scanning Frequency	59.94Hz(VD)	50Hz(VD)
Resolution	700TV lines	
S/N Ratio	More than 50dB (AGC Off)	
Video Output	1.0 Vpp composite(75Ω)	
Min. Illumination	0.1Lux @ 30IRE, F2.0(color), 0.0Lux@IRED ON(B/W)	
OS D	LENS	MANUAL, DC
	SHUTTER/AGC	SHUTTER : SHUT, SHUT+IRIS, IRIS
		AGC : OFF, AGC
	WHITE BALANCE	ATW, PUSH, USER1, USER2, ANTI CR, MANUAL, PUSH LOCK
	BACKLIGHT	OFF, BLC, HLC
	ATR	OFF, ON (Level adjustable)
	NR	OFF, ON (Level adjustable)
	DAYNIGHT	AUTO, COLOR, B/W(IR Optimizer), EXT1, EXT2
	PICT ADJUST	MIRROR, BRIGHTNESS, CONTRAST, SHARPNESS, HUE, GAIN
	MOTION DETECTION	OFF, ON (4 AREAS)
	PRIVACY	OFF, ON (4 AREAS)
	CAMERA ID	0~9, A~Z, Special Character
LANGUAGE	English, Japanese, German, French, Russian, Portuguese, Spanish, Chinese	
Shutter Speed	1/60 ~ 1/100,000sec	1/50 ~ 1/100,000sec
Infrared Wavelength & Luminary	850nm & IR(30pieces)	
Power Consumption	DC12V: Max. 130mA [IRED ON : max. 300mA] AC24V: Max. 2.5VA [IRED ON : max. 5.6VA]	
Operating Temperature	-10℃ ~ 50℃ (Humidity : 0%RH ~ 80%RH)	
Storage Temperature	-20℃ ~ 60℃ (Humidity : 0%RH ~ 85%RH)	
Options	Lens, AC24V(Dual Power), Mechanical Day & Night Filter	

### Options

